

ADDENDUM NO. 1

DATE ISSUED: April 12, 2019

**BID #018-19-12
BIDDING AND CONTRACT DOCUMENTS
FOR THE
HORRY COUNTY SOLID WASTE AUTHORITY
SCALES PLAZA REPAIR AND UPGRADES PROJECT**

HORRY COUNTY, SOUTH CAROLINA

Signed, sealed, and dated this 12th day of April, 2019



By: Craig M. Fortner, P.E.

Title: Project Manager

Bidders on this Project are hereby notified that this Addendum shall be attached to and made a part of the above-named Bidding and Contract Documents dated March 2015.

The following items are issued to add to, modify, and clarify the Bidding and Contract Documents. These items shall have full force and effect as the Bidding and Contract Documents, and cost involved shall be included in the bid prices. Bids, to be submitted on the specified bid date, shall conform to the additions and revisions listed herein.

Acknowledge receipt of the Addendum by inserting its number and date on Page 00300-1 of the Bid Form. Failure to do so may subject the bidder to disqualification.

Addendum No. 1

HCSWA Scales Plaza Repair and Upgrades Project

April 12, 2019

IN THE SPECIFICATIONS

- 1) **Section 01025 – Measurement and Payment:** p. 01025-9, Item 34 – 12” RCP Storm Drain, replace Paragraph 2 with the following:
 2. Payment: The unit price per linear foot for this item will be full compensation for all labor, materials, tools, equipment, supervision and incidentals required for furnishing and installing the 12” RCP Storm Drain as shown on the drawings and specified herein, including, but not limited to, removal of existing storm drain pipe and drop inlets, furnishing and installing pipe, excavation, #57 stone pipe bedding, backfill with compacted ABC, fittings, gaskets, and all other appurtenances.

ATTACHMENTS

- 1) Pre-Bid Meeting Minutes w/ Attendance List
- 2) Vendor Information – Mettler-Toledo
- 3) Vendor Information - WasteWorks

END OF ADDENDUM NO. 1

**HORRY COUNTY SOLID WASTE AUTHORITY
SCALES PLAZA REPAIR AND UPGRADES PROJECT
APRIL 11, 2019**

PRE-BID MEETING MINUTES

I. INTRODUCTIONS

- Owner – Horry County Solid Waste Authority, represented by Jan Bitting, Wayne Martin, Stephanie Todd
- Engineer – Garrett & Moore, represented by Craig Fortner, Vance Moore
- Vendors – Mettler-Toledo Scales, WasteWorks scales software and automation
- Meeting is Mandatory for Bidders
- Sign-in sheet was circulated

II. SAFETY AND SECURITY

- Safety – Jobsite safety is the responsibility of the Contractor. Contractor is expected to implement a documented health and safety plan.
- Front Gate is required to be manned by Contractor at all times during after-hours work if deliveries are expected. Contractor will be responsible for locking gate upon completion of after-hours work

III. BID DOCUMENTS

- Bid documents are available electronically in pdf format. No hard copies of bid documents will be distributed.
- Owners scales (Mettler-Toledo) and automation (WasteWorks) vendors scope of work will be provided in addendum.
- Mettler-Toledo Foundation Drawings will be provided in addendum.
- WasteWorks keypad pedestals details will be provided in addendum.

IV. QUESTIONS DURING BIDDING

- All questions shall be emailed to Garrett & Moore – cfortner@garrett-moore.com
- April 22, 2019 last day for questions

V. CONSTRUCTION DRAWINGS AND TECHNICAL ITEMS

- General description of the project reviewed
- Description of the facility reviewed
- Site layout reviewed
- Location of temporary scalehouse
- Temporary Utilities – Contractor responsible for coordination
- Water for construction – available on-site
- Concrete and asphalt testing to be provided by third-party construction quality control firm and paid for by Contractor.

**HORRY COUNTY SOLID WASTE AUTHORITY
SCALES PLAZA REPAIR AND UPGRADES PROJECT
APRIL 11, 2019**

PRE-BID MEETING MINUTES

- Subgrade soil bearing capacity under all footings and pavement sections to be verified by third-party construction quality control firm and paid for by Contractor
- Landfill Operations – the landfill is an active facility; operations shall be continuous and not interrupted or otherwise affected by construction traffic or activities. Landfill shall have at all times one operational scale for inbound traffic and one operational scale for outbound traffic.
- Reviewed individual plan sheets
- General sequence of construction

VI. PROJECT SCHEDULE

- Anticipated Notice to Proceed – May 6, 2019
- Contract time – 60 days to Substantial Completion
- Additional 30 days for minor or ancillary items
- Working days and hours – defined in the Project Manual
- Owner will consider proposals for after-hours and weekend work that minimize disruption to scales traffic. Any proposals for after-hours and weekend work that would affect bid prices and/or overall project schedule shall be submitted as qualifications to the Bid.

VII. SITE ACCESS DURING BIDDING

- Site visits during bidding shall be coordinated with Mike Bessant, Director of Operations. (843) 347-1651

VIII. SITE TOUR

- A tour of the site was offered.

IX. ADJOURN

- Prebid meeting adjourned at approximately 11:45.

MANDATORY PRE-BID MEETING
 Horry County Solid Waste Authority
 Scales Plaza Repair and Upgrades Project
 April 11, 2019

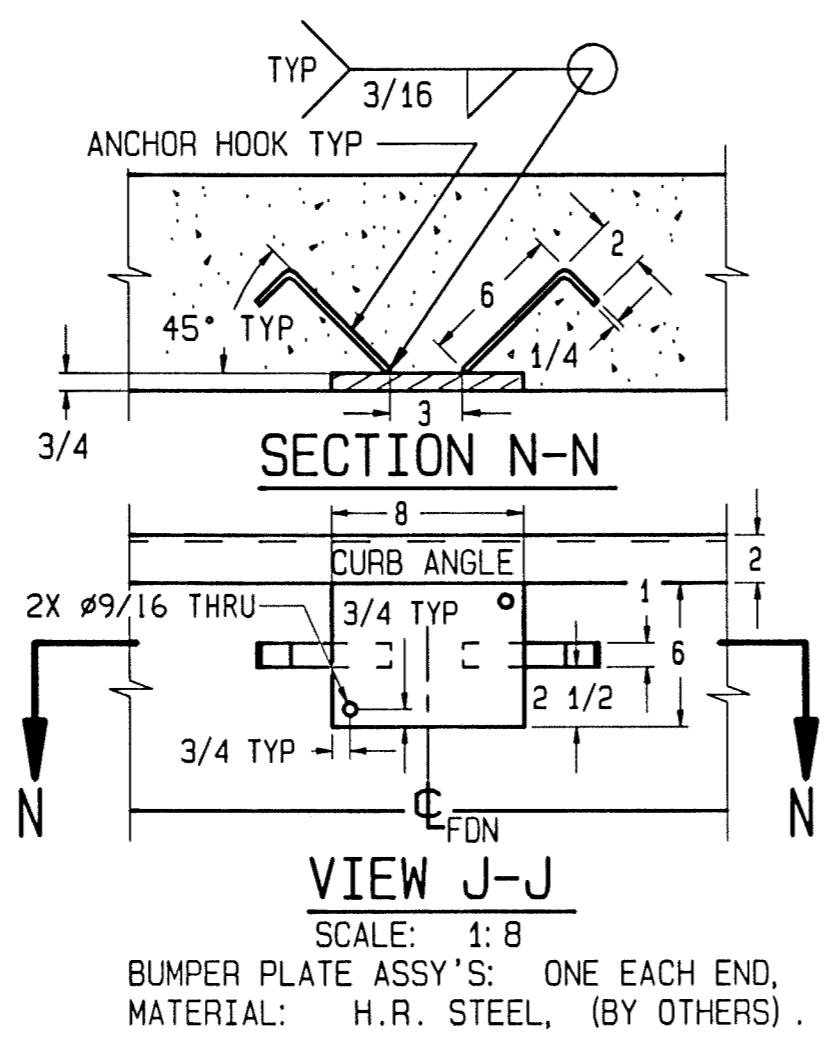
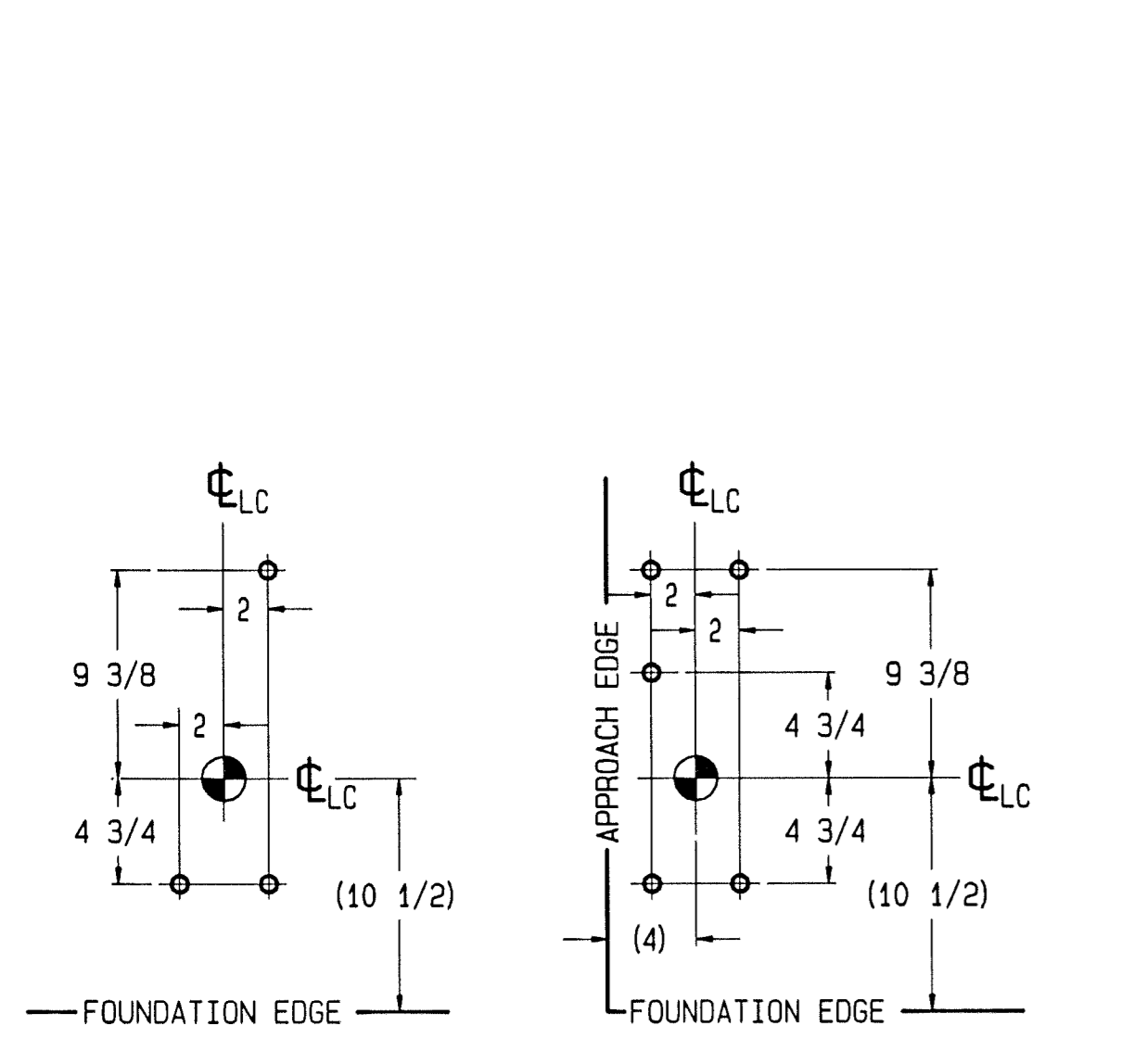
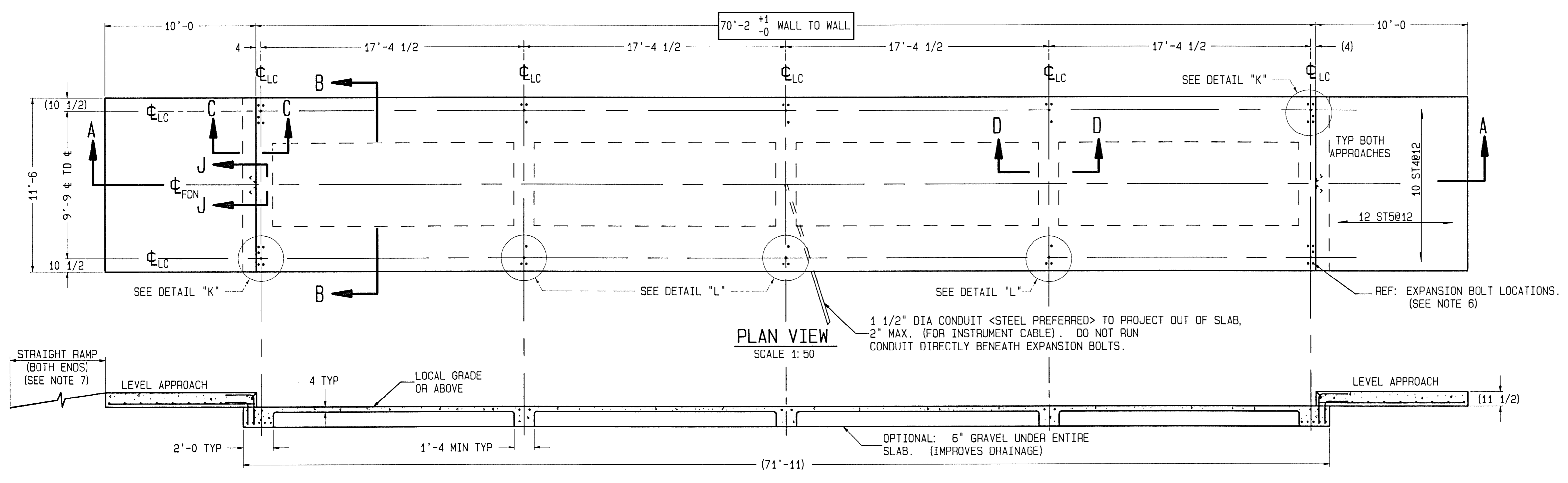
NAME	COMPANY	PHONE	E-MAIL	GENERAL CONTRACTOR (Y/N)
Reid Quinn	King, Construction	843 397 8000	estimating@kingcsinc.com	Y
Phil Asselin	Baldwin Construction	843-330-2866	rick@baldwincc.com	Y
KEITH McDOWELL	CCA	843-272-8074	ccaestimator@gmail.com	N
Amos Green	GCS	(843) 446-1133	Amos@greenwallconst.com	Y
Keith Patterson	GCS	(843) 340-3273	Vickie@greenwallconst.com	Y

**BID #018-19-12
HORRY COUNTY SOLID WASTE AUTHORITY
SCALES PLAZA REPAIR AND UPGRADES PROJECT**

VENDOR INFORMATION

**Toledo Carolina
PO Box 12366
Florence, SC 29504-2366
Jason Wilkes
O: (800) 649-7503
M: (843) 992-8821**

REINFORCING STEEL SCHEDULE (A.S.T.M. A-615 GRADE 60)						
SYM	QTY	SIZE	LOCATION, DIRECTION	DIMENSIONS		WGT
				A	B	
ST1	24	#6	FLOOR BEAMS, LONG.	40'-0"		1442
ST2	24	#6	FLOOR BEAMS, LONG.	34'-0"		1226
ST3	10	#6	END FOOTERS, LATERAL	11'-0"		165
ST4	10		ENDS, LATERAL			115
	20	#5	APPROACHES, LATERAL	11'-0"		230
	6		FOOTERS, LATERAL			69
ST5	24	#5	APPROACHES, LONG.	9'-6"		238
L1	24	#5	APPROACH TO END TIES	2'-0"	2'-0"	101
L2	24	#5	APPROACH TO END TIES	1'-6"	1'-6"	76



MATERIAL SUMMARY *	
CONCRETE (CU. YDS.)	37
REINFORCING STEEL (LBS)	3662
WWF: 6x6_W1.4xW1.4 (SQ. FT.)	800

* QUANTITIES GIVEN ARE FOR FOUNDATION ONLY. IF CONCRETE PLATFORMS ARE USED, REFER TO GENERAL LAYOUT DRAWING FOR DECK CONCRETE AND REINFORCING STEEL QUANTITIES & SPECS.

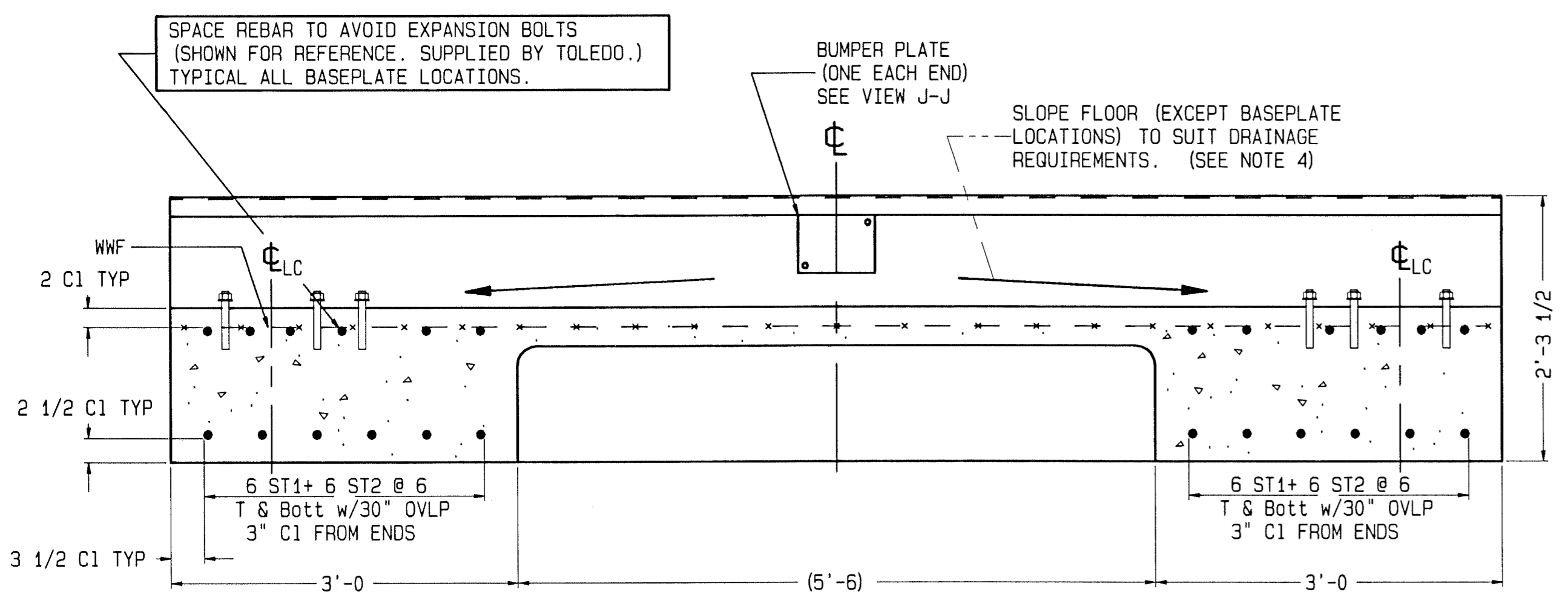
DETAIL "L"
SCALE: 1:8
EXPANSION BOLT LOCATIONS
(OTHER SIDE IS OPPOSITE)

DETAIL "K"
SCALE: 1:8
EXPANSION BOLT LOCATIONS
(OTHER SIDE IS OPPOSITE)

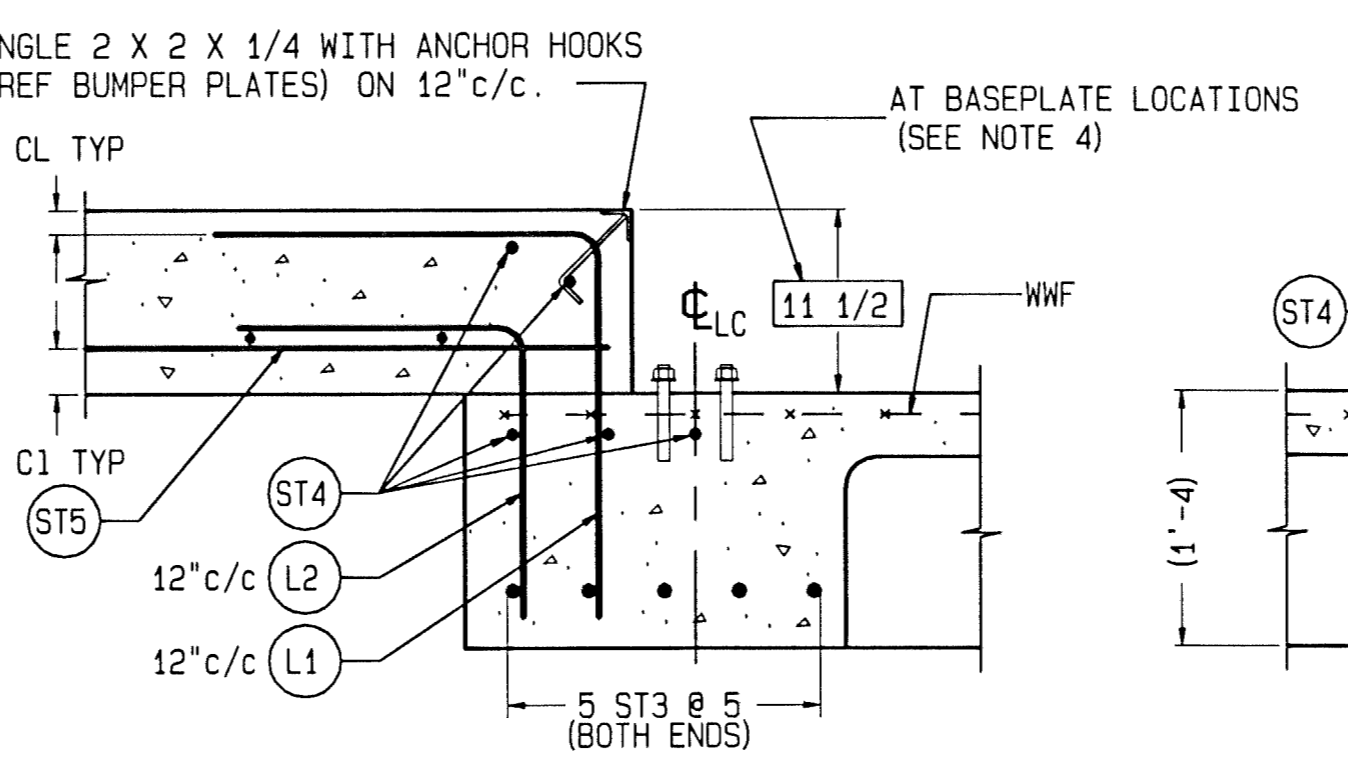
VIEW J-J
SCALE: 1:8
BUMPER PLATE ASS'YS: ONE EACH END,
MATERIAL: H.R. STEEL, (BY OTHERS).

NOTES:

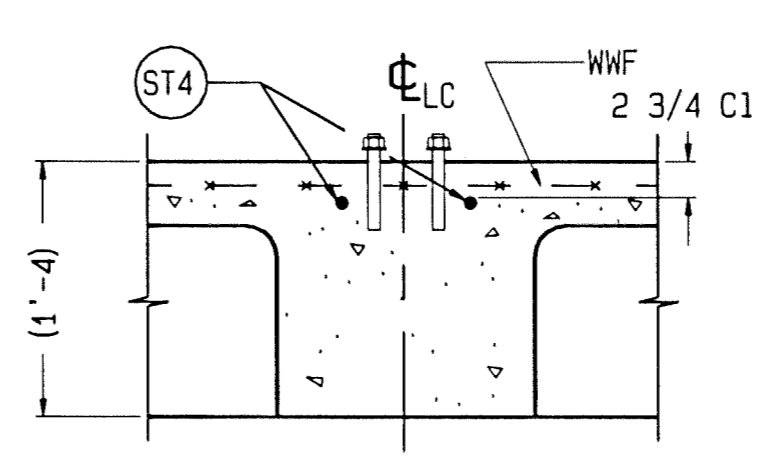
- USE MINIMUM 3000 PSI STRENGTH CONCRETE AT 28 DAYS WITH 5-7% AIR ENTRAINMENT.
- USE MINIMUM 60KSI YIELD DEFORMED REINFORCING STEEL.
- FOUNDATION REQUIRES 1500 PSF RATED SOIL.
- TOP OF CONCRETE AT BASEPLATE LOCATIONS TO BE LEVEL AND IN ONE PLANE $\pm 1/8"$.
- DIAGONAL MEASUREMENTS ENDWALL TO ENDWALL MUST BE EQUAL WITHIN $1/2"$.
- BASEPLATE ANCHORS TO BE 3/4" DIA. EXPANSION BOLTS X 6" LG. SUPPLIED BY TOLEDO. USE BASEPLATES AS TEMPLATES TO LOCATE EXPANSION BOLTS DURING SCALE INSTALLATION.
- RAMP LENGTH: $-1/2"$ SLOPE PER FOOT TYPICAL
- CONTRACTOR SUPPLIES:
 - EXCAVATION
 - REINFORCING STEEL
 - CURB ANGLE ASSEMBLIES (SECT C-C)
 - CONCRETE AND FORMS
 - 1 1/2" DIA CONDUIT
 - BUMPER PLATE ASSEMBLIES (VIEWS J-J & N-N)



SECTION B-B
SCALE 1:12



SECTION C-C
SCALE 1:12
(TYPICAL END WALL)



SECTION D-D
SCALE 1:12
(TYPICAL FOOTER)
SINGLE BASEPLATE

REV	CHANGE	BY	DATE	SCALE	NOTED
A	SHORTENED APPROACHES; REVISED REBAR SCHEDULE	ALS	7-15-91	DATE	2/14/91
B	CORRECTED SECT B-B; ADDED CL NOTES SECT C-C	TDA	2-19-92	DWN	FMR APPD

TITLE 7560 FOUNDATION, BEAM SLAB 70'X11'

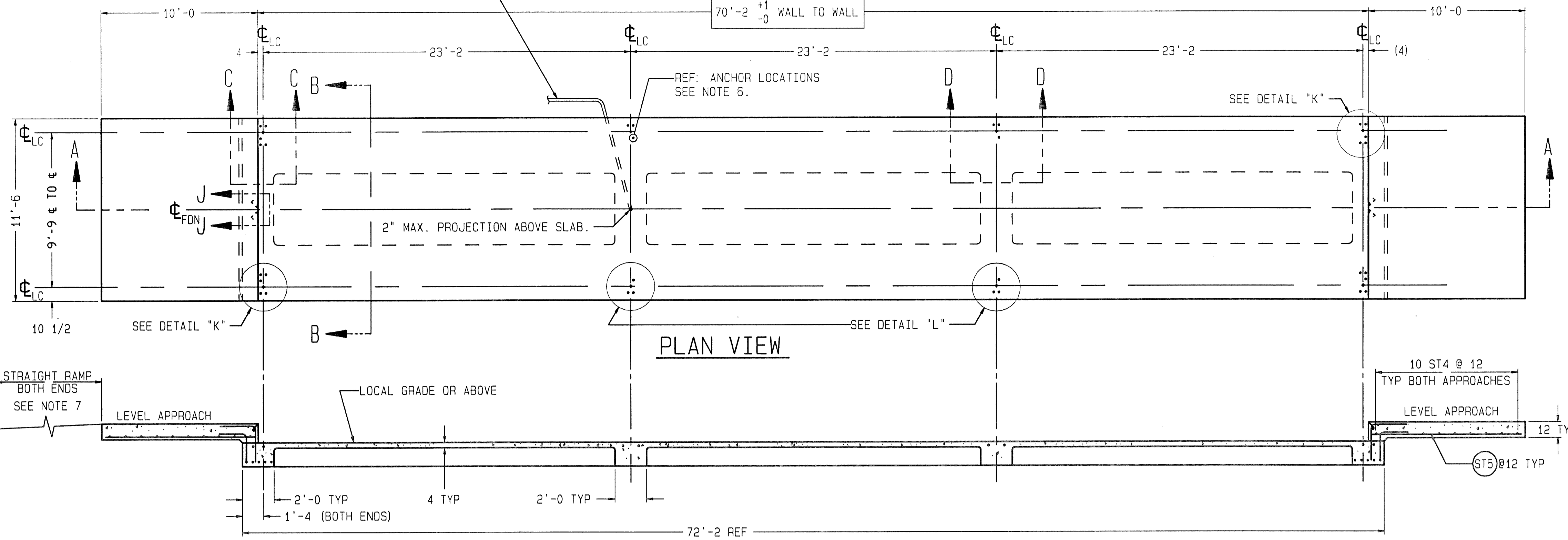
UNLESS OTHERWISE SPECIFIED, ALL DIMENSIONS ARE IN INCHES, AND DIMENSIONAL TOLERANCES ARE:
 FRACTIONAL DECIMAL ANGULAR
 1/32 .XX ± .02 .5°
 .XXX ± .005 .5°

METTLER TOLEDO

THIS PRINT IS FURNISHED WITH THE UNDERSTANDING THAT THE ESSENCE THEREOF WILL NOT BE REPRODUCED IN WHOLE OR IN PART WITHOUT WRITTEN AUTHORIZATION OF METTLER-TOLEDO, INC. ALL DESIGNS ARE THE PROPERTY OF METTLER-TOLEDO, INC. AND WILL BE PROTECTED BY PATENTS.

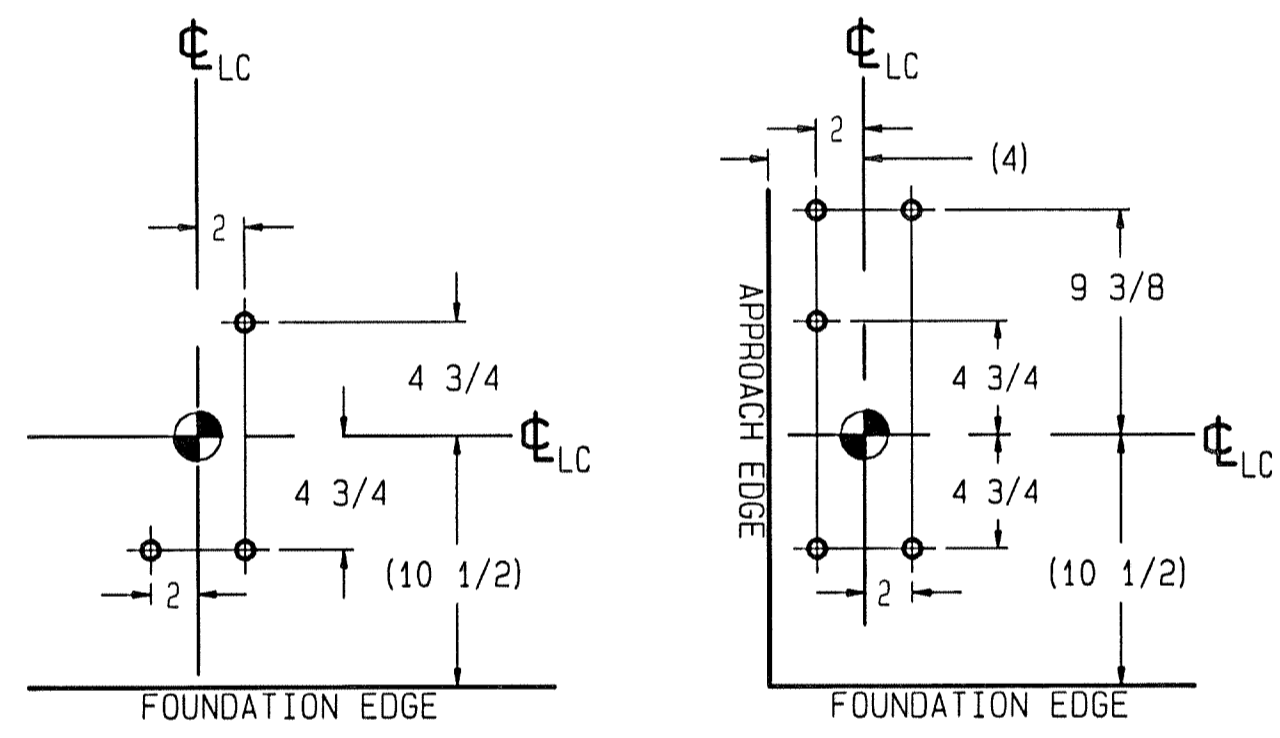
TC201566 REV B

1 1/2" DIA CONDUIT <STEEL PREFERRED> FOR INSTRUMENT CABLE.
SEE CONDUIT NOTE 8



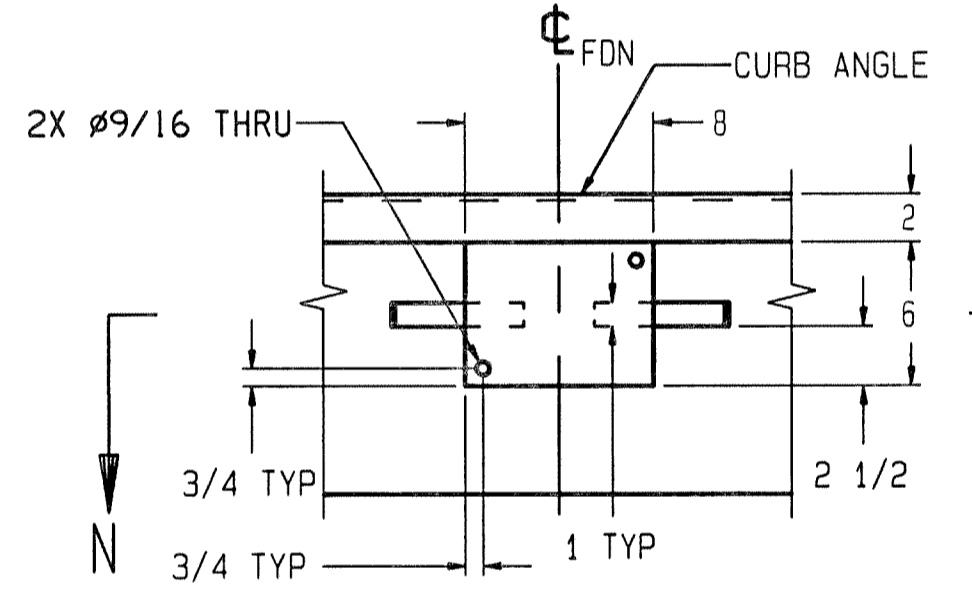
PLAN VIEW

SECTION A-A

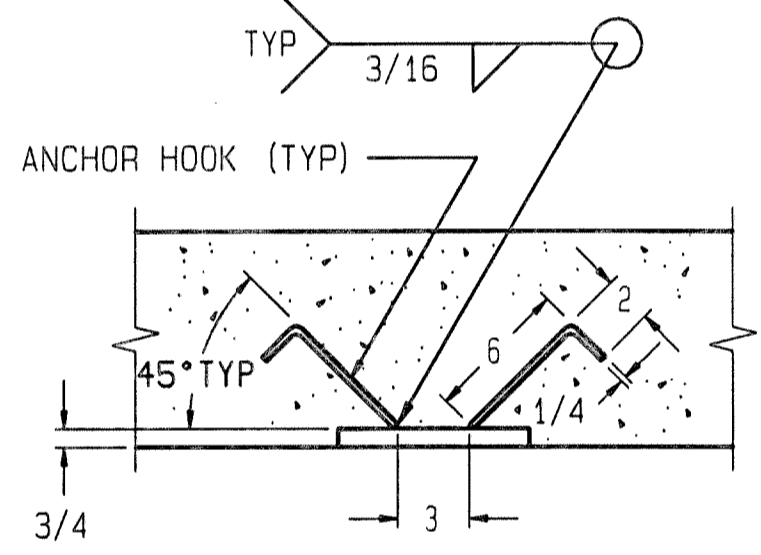


DETAIL "L"
ANCHOR LOCATIONS
(OTHER SIDE IS OPPOSITE)

DETAIL "K"
ANCHOR LOCATIONS
(OTHER SIDE IS OPPOSITE)



VIEW J-J
BUMPER PLATE ASSY'S (ONE EACH END)
MATERIAL: H. R. STEEL (BY OTHERS).



SECTION N-N

REINFORCING STEEL SCHEDULE (A.S.T.M. A-615 GRADE 60)						
COLD FORM BARS TO INSIDE DIMENSIONS			A B			
SYM	QTY	SIZE	LOCATION, DIRECTION	A	B	WGT
ST1	20	#8	FLOOR BEAMS, LONG.	40'-0"		2136
ST2	20	#8	FLOOR BEAMS, LONG.	37'-8"		2011
ST3	8	#8	FOOTERS, LATERAL	11'-0"		235
ST4	10	#5	ENDS, LATERAL	11'-0"		115
	24		APPROACHES, LATERAL			275
ST5	24	#5	APPROACHES, LONG.	9'-6"		238
L1	24	#5	APPROACH TO END TIES	2'-3"	2'-3"	113
L2	24	#5	APPROACH TO END TIES	1'-9"	1'-9"	88

L1 & L2 GIVEN WITHOUT RISER BASEPLATES. DIMENSION "B" WILL VARY WITH THE ACTUAL HEIGHT OF RISERS USED, AS FOLLOWS:

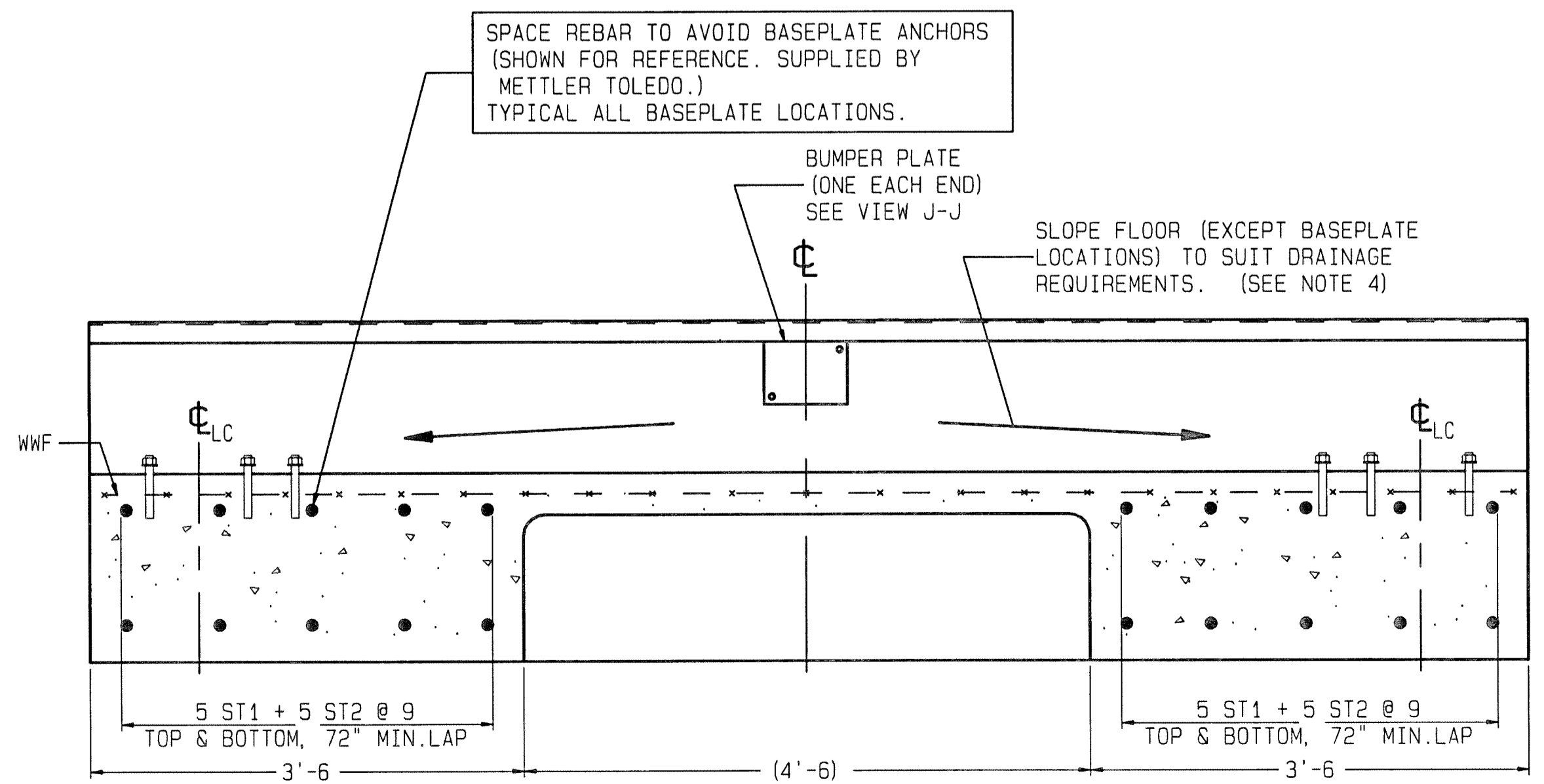
	L1	L2
NO RISERS	2'-3"	1'-9"
3" RISERS	2'-6"	2'-0"
6" RISERS	2'-9"	2'-3"

MATERIAL SUMMARY	
CONCRETE (CU. YDS.)	43
REINFORCING STEEL (LBS)	5211
WWF: 6x6_w1.4xw1.4 (SQ. FT.)	920

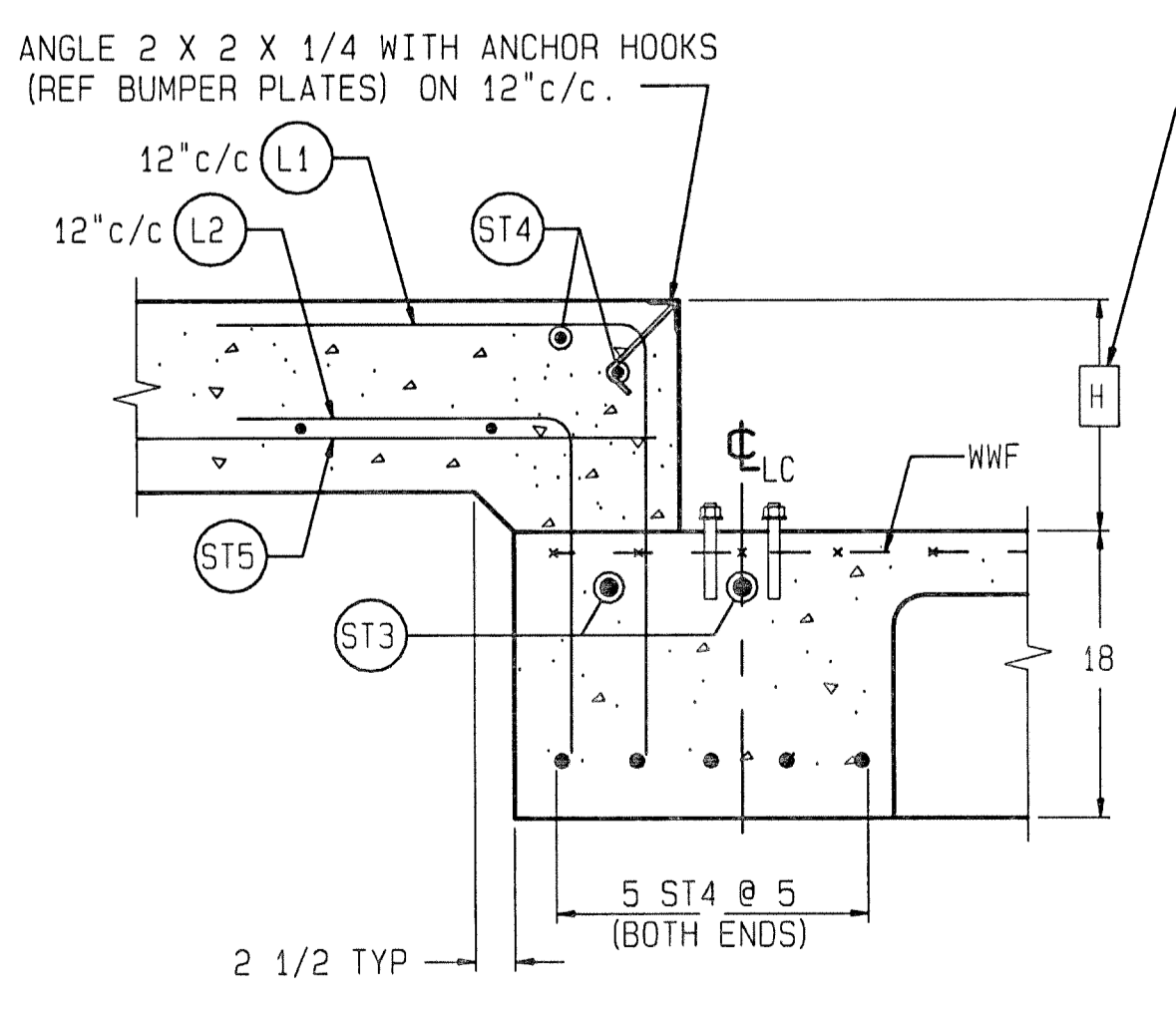
NOTES:

- 1) USE MINIMUM 3000 PSI STRENGTH CONCRETE AT 28 DAYS WITH 5-7% AIR ENTRAINMENT.
- 2) USE MINIMUM 60KSI YIELD DEFORMED REINFORCING STEEL. REBAR MINIMUM DEPTH OF COVER SHOULD BE IN ACCORDANCE WITH THE LATEST ACI BUILDING CODE REQUIREMENTS FOR STRUCTURAL CONCRETE (ACI 318-SECTION 7.7). UNLESS OTHERWISE SPECIFIED.
- 3) FOUNDATION REQUIRES 1500 PSF RATED SOIL.
- 4) TOP OF CONCRETE AT BASEPLATE LOCATIONS TO BE LEVEL AND IN ONE PLANE $\pm 1/8"$.
- 5) DIAGONAL MEASUREMENTS ENDWALL TO ENDWALL MUST BE EQUAL WITHIN 1/2".
- 6) BASEPLATES ANCHORS TO BE SUPPLIED BY METTLER TOLEDO. USE BASEPLATES AS TEMPLATES TO LOCATE ANCHORS DURING SCALE INSTALLATION.
- 7) RAMP LENGTH: -PER LOCAL REGULATIONS
-1/2" SLOPE PER FOOT TYPICAL
- 8) CONDUIT LOCATIONS MAY VARY BASED ON APPLICATION. AS LONG AS IT DOES NOT INTERFERE WITH BASE PLATE OR ANCHOR LOCATIONS. ON ABOVE GROUND INSTALLATIONS. THE CONDUIT MAY BE RUN ALONG THE SIDE OF THE FOUNDATION. PLEASE CHECK FOR LOCAL CODE REQUIREMENTS REGARDING CONDUIT PLACEMENT
- 9) CONTRACTOR SUPPLIES:
 - EXCAVATION
 - REINFORCING STEEL
 - CURB ANGLE ASSEMBLIES (SECT C-C)
 - CONCRETE AND FORMS
 - 1 1/2" DIA CONDUIT
 - BUMPER PLATE ASSEMBLIES (VIEWS J-J & N-N)

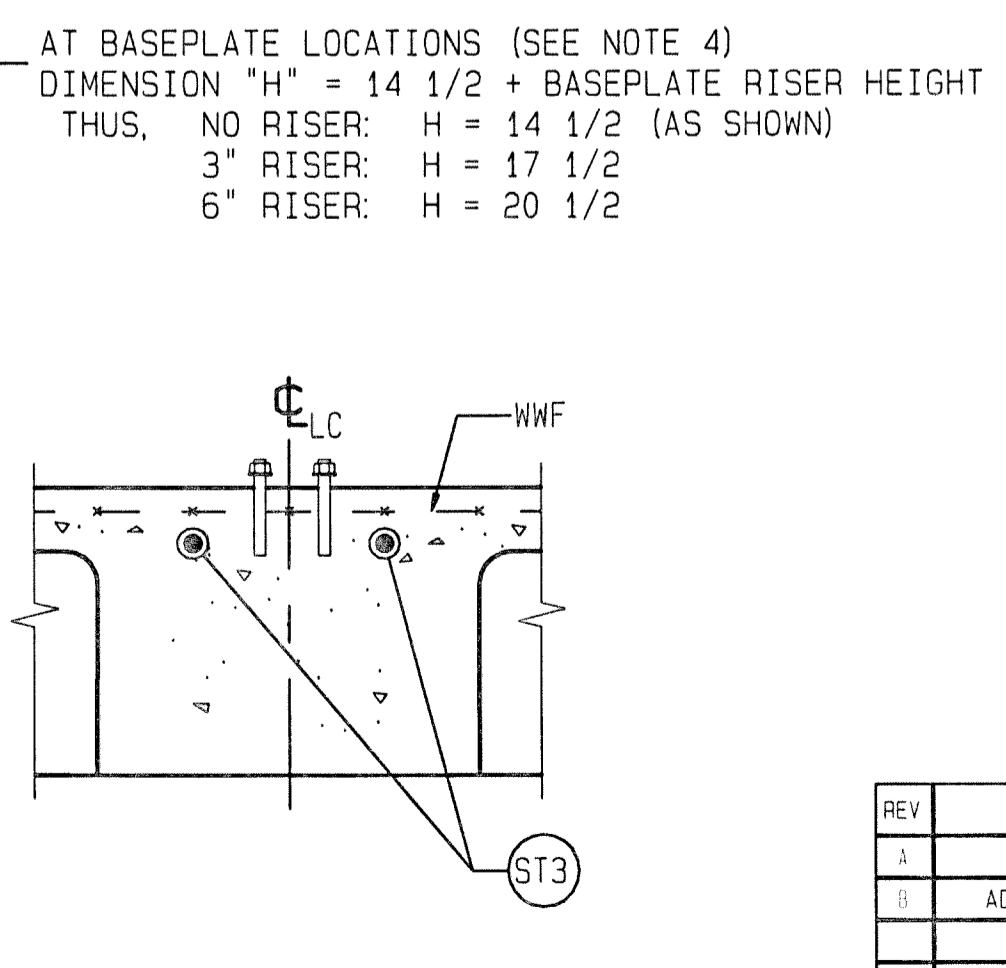
DRAWING IS TO SCALE ONLY WHEN BORDER MEASURES 22-7/8" X 35" (FULL SIZE)



SECTION B-B
SCALE 1/12



SECTION C-C
SCALE 1/12
(TYPICAL END WALL)



SECTION D-D
SCALE 1/12
(TYPICAL FOOTER)
SINGLE BASEPLATE

REV	CHANGE	BY	DATE	SCALE	02
1	REMOVED 12" RISER OPTION.	MDP	03/10/06	DATE	06/18/03
2	ADDED VTS231, PDX DETAIL, CONDUIT NOTE	KRS	06/15/10	DRN	MDP

METTLER TOLEDO

TITLE VTS231/7562C FOUNDATION, 70' X 11' BEAM SLAB, 3-MODULES, W/ RISER OPTIONS.

UNLESS OTHERWISE SPECIFIED, ALL DIMENSIONS ARE IN INCHES, AND DIMENSIONAL TOLERANCES ARE:
FRACTIONAL .XX \pm .02
DECIMAL .XXX \pm .005
ANGULAR \pm .5°

THIS PRINT IS FURNISHED WITH THE UNDERSTANDING THAT THE ESSENCE THEREOF WILL NOT BE REPRODUCED IN WHOLE OR IN PART WITHOUT WRITTEN AUTHORIZATION OF METTLER-TOLEDO, INC. ALL DESIGNS ARE THE PROPERTY OF METTLER-TOLEDO, INC. AND WILL BE PROTECTED BY PATENTS.

TC205844 REV B

**BID #018-19-12
HORRY COUNTY SOLID WASTE AUTHORITY
SCALES PLAZA REPAIR AND UPGRADES PROJECT**

VENDOR INFORMATION

**WasteWorks
PO Box 3097
Wilmington, NC 28406
(910) 799-6767**

**SEE HIGHLIGHTED TEXT FOR CONTRACTOR
RESPONSIBILITIES**



Carolina Software, Inc.
 Phone: 910-799-6767 - Fax: 910-799-1177
 PO Box 3097 - Wilmington, NC - 28406
 www.wasteworks.com

WasteWIZARD

Proposal #
JA43405

WasteWORKS for Solid Waste Management

Estimate for WasteWIZARD kiosk (stainless)(keypad entry)

Standard System

Jan S. Bitting
 Director-Finance & Administration
 Horry County Solid Waste Authority, Inc.

Updated
11/1/2018

Section 1 - WasteWIZARD Software and Hardware -

(Two Separate Sites)

WasteWIZARD License
 WasteWIZARD Additional Lane License
 WasteWIZARD Additional Lane License -Same (additional license SAME lane)
 WasteWIZARD Support and Maintenance is \$200/quarter/each (\$400 total)

(WasteWIZARD Kiosk Hardware(Stainless model))

Lane Printer Box with IP Intercom
 (Box comes complete with mounting system and post)
 Keypad with backlit display
 Proximity Card Reader
 Proximity Cards
 Digi PortServer TS 4 port server device (one for each box)(printers/scales)
 Digi PortServer TS 2 port server device (connect scales to network)
 IP Intercom System- Base Station, Controller and Door Mounted Remote
 WasteWORKS PLC Controller for Red/Green Kiosk lights and gate
 Relay for Gate
Stainless Steel 20x20x12 enclosure
 Electric Heater/Fan for Enclosure 200W (with Hygrostat)
 Custom white powder coated steel 20x20x12 enclosure
 Electric Fan with Filter for Enclosure
 Galvanized Flanges for mounting (box and floor flange) (if needed)
 Swing-Away Hood: 4 sided
 Swing-Away Hood Post
 Build Wizard box and install components
 Cables and connectors - lot (includes ethernet switch,wiring,terminals,breakers)
 Kiosk ticket printer (Telpar)
 Inside Serial Printer (Star TS700)
 Shipping (hardware to shop from vendors- and to job site)

(Subtotal Section 1- Vendor Software and Hardware Cost)

Section 2: Optional WasteWORKS Vision (may be added later)

(Optional WasteWORKS Vision)
 WasteWORKS Vision Image Capture Software (per lane)
 WasteWORKS Vision Camera (outdoor, vari-focal, bullet camera)
 WasteWORKS Vision Video Server (converts video signal to IP)
Totals - Optional WasteWORKS Vision Image Capture System (single camera)

Section 3: Installation and Training

Remote Assistance
 On-site installation & training
 Meals and lodging per diem
 Mileage
 (Subtotal Section 3 - Installation and Training Cost)

Grand Totals - WasteWIZARD Installed

OPTIONAL:

Additional training days @ \$990/day plus per diem, if needed

Mileage/Airfare will be billed at actual (if applicable)
We will install the newest version of WasteWORKS for Windows on your computers (if applicable)
We will provide training for all applicable WasteWORKS functions (if applicable)
We will assist with connection between scale and computer(s) if needed
Prices do not include shipping or sales tax, if any
Does not include prices for any additional hardware that may be needed
This is an estimate.
Installation and training to be invoiced upon completion.
We will install PCAnywhere for data transfer and dial-up support. (if needed/may be provided by customer)
Software is not custom.
Customer to provide PC's to spec including any network connections required.
Customer to provide adequate UPS protection for all powered devices.

(WasteWIZARD)

Box Mounting and Wiring

WasteWIZARD comes standard with keypad interface for vehicle identification.
We will provide drawings and specs for WasteWIZARD box mounting.

Customer (or other contractor (scale company/electrician)) to provide for mounting and wiring of WasteWIZARD enclosures.

Customer (or other) to provide protective bollards to protect WIZARD box (if not installed in standard Swing-Arm system)

WasteWIZARD Box(es) to be mounted by customer prior to installation date
Recommended WasteWIZARD Mounting - *Site study should be conducted for precise placement, based on average vehicle height of
of main automation population. Customer or contractor responsible selectiong appropriate mounting location.
Documentation provided with general specifications for mounting. See accompanying documents.

(the following is standard connectivity for WasteWIZARD. **The County should provide electrical to box and network connectivity to the desired mounting area)**

Customer (or other) to provide (separate) electrical and data conduits for WIZARD (EACH box)- to include:

- Electrical (each lane): 20 Amp/120V Service to power connection. See inside of door for connection diagram.

- **Customer to provide fiber connection to each Wizard box. (Fiber) Media converter required for fiber connections. Customer to provide fiber terminations (ST) in WasteWZARD box and in scale house (customer to provide fiber swith in scale house).**

- Intercom: IP intercom provided. Dedicated IP required.

- Switch/Media converter provided with WasteWIZARD enclosure. Customer to provide terminations.

Lane Control and Vision Notes

Customer or other responsible for installing and mounting gates(if any) and power/wiring for gate equipment.

Customer or other responsible for running gate wires and making connections to Wizard box.

WasteWORKS Vision is intended as a WasteWORKS enhancement. Carolina Software cannot guarantee that every transaction will be accompanied with one or more stored WasteVision pictures and cannot guarantee that the photo captured provides detailed images of every driver or license plate. WasteWORKS Vision provides printed warnings for 'off-line' cameras.

Carolina Software will provide replacements for any 'dead on arrival' hardware. All warranties for hardware are provided by the manufacturer. Warranty and support information provided on existing WasteWORKS License Agreement. All hardware is brand new, tested, and pre-configured by Carolina Software (where applicable.)

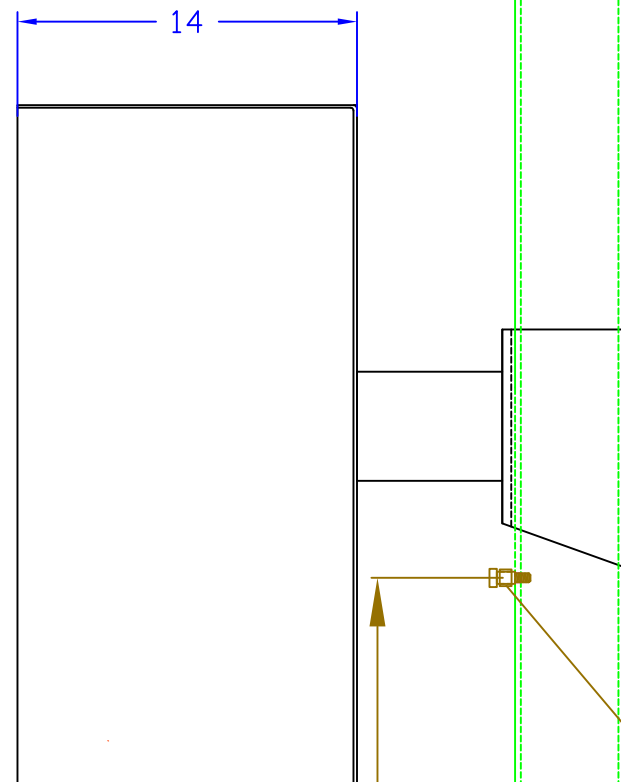
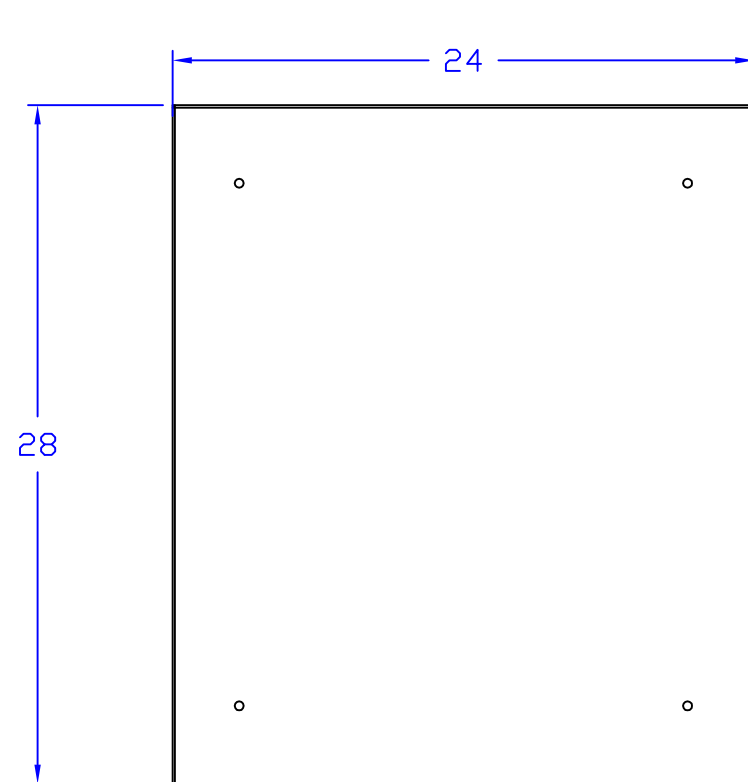
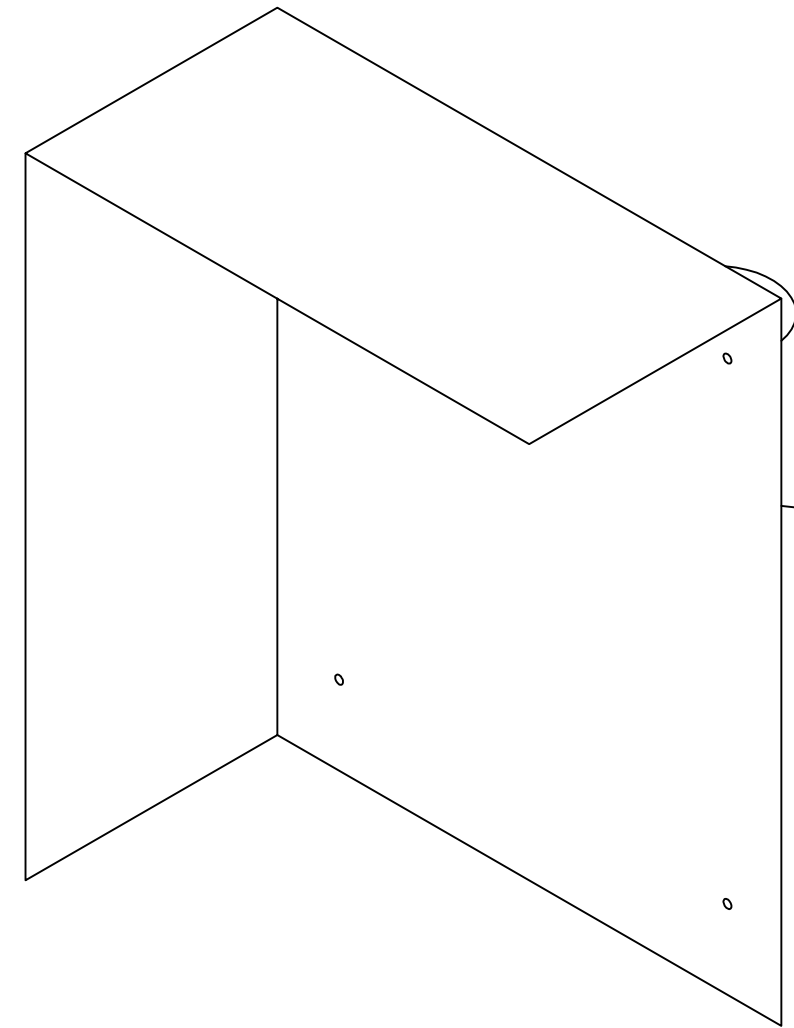
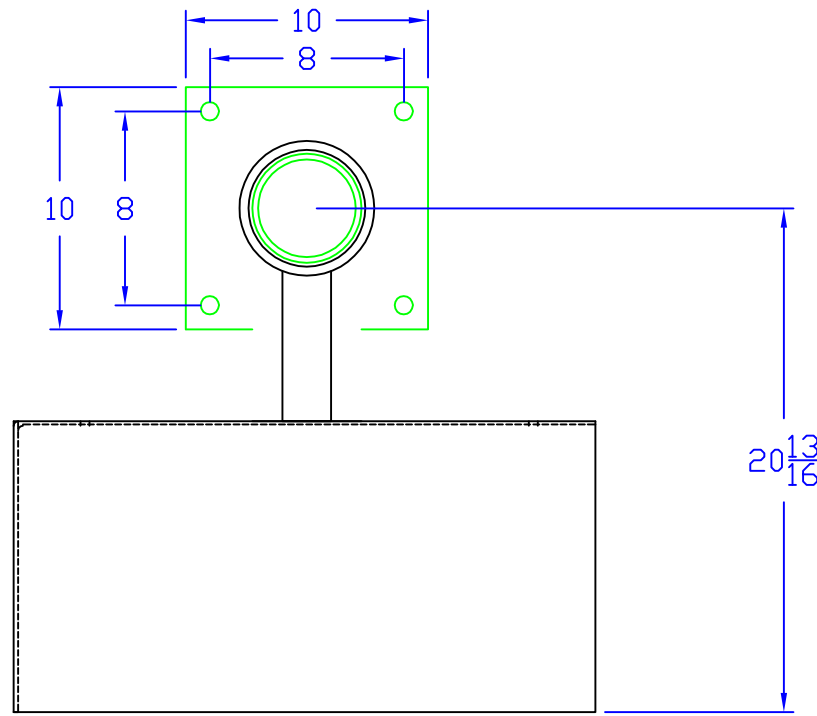
Approved by:

Title

Date

PO Number

Shipping Address:



ROLLER BEARING BOLTED TO POLE STEEL (TAPPED 3/8-16)



Carolina Software Inc
PO Box 3097
Wilmington, NC 28406
910-799-6767
www.wasteworks.com

DATE: 4/12/13	TITLE: WW SwingArm, Left Side
SCALE: NA	SITE:
DWG BY: RCL	Fab Drawing
SHEET: NA	DRAWING NUMBER: GSY-13004L
	REV: A

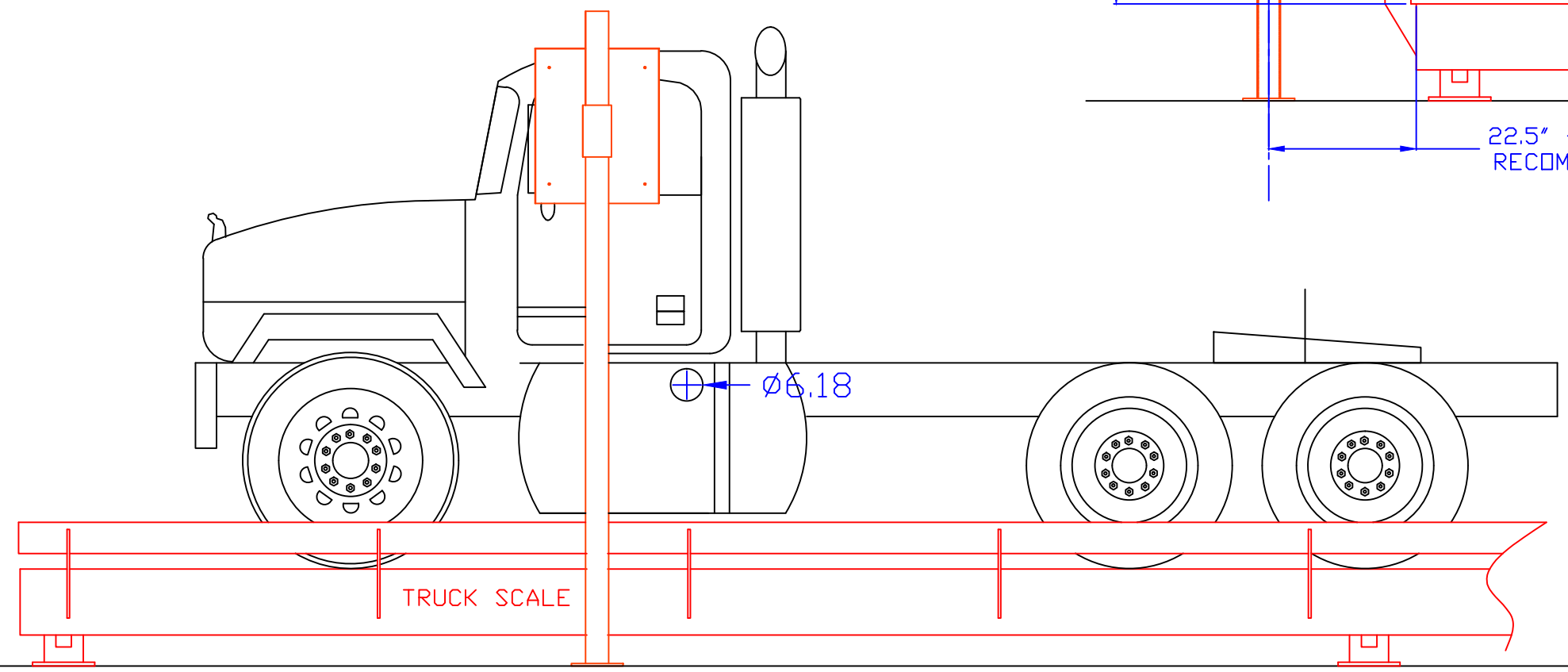
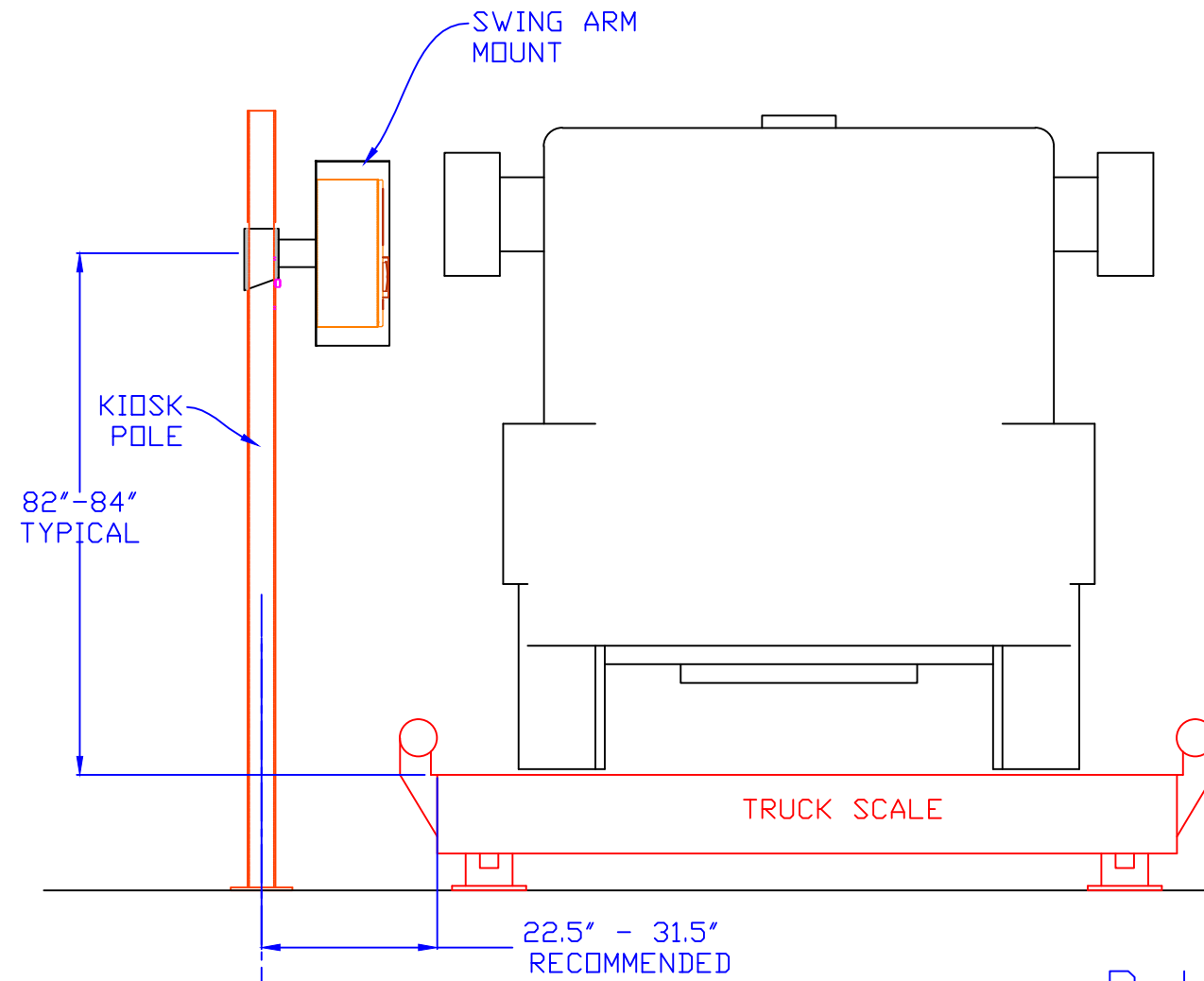
THE MATERIAL AND INFORMATION CONTAINED HEREIN IS CONFIDENTIAL AND IS THE PROPERTY OF CAROLINA SOFTWARE INC. AND IS NOT TO BE USED, DISCLOSED, COPIED, TRANSFERRED, OR REPRODUCED WITHOUT THE PRIOR WRITTEN PERMISSION OF CAROLINA SOFTWARE INC.

Unattended Kiosk - Swing Arm Mount

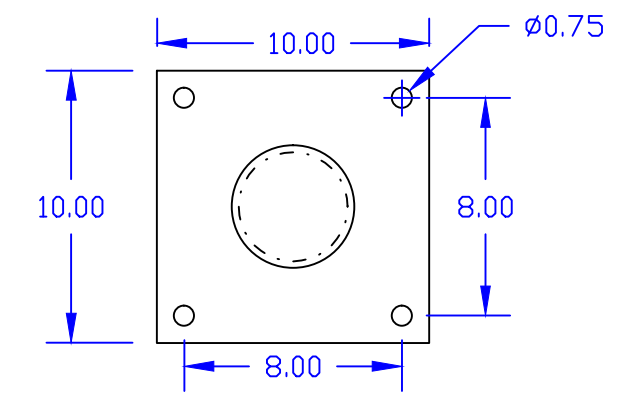
120VAC Power Required at Kiosk Location

Ethernet communication required at Kiosk.

Customer Ultimately Responsible for Determining Final Mounting Location

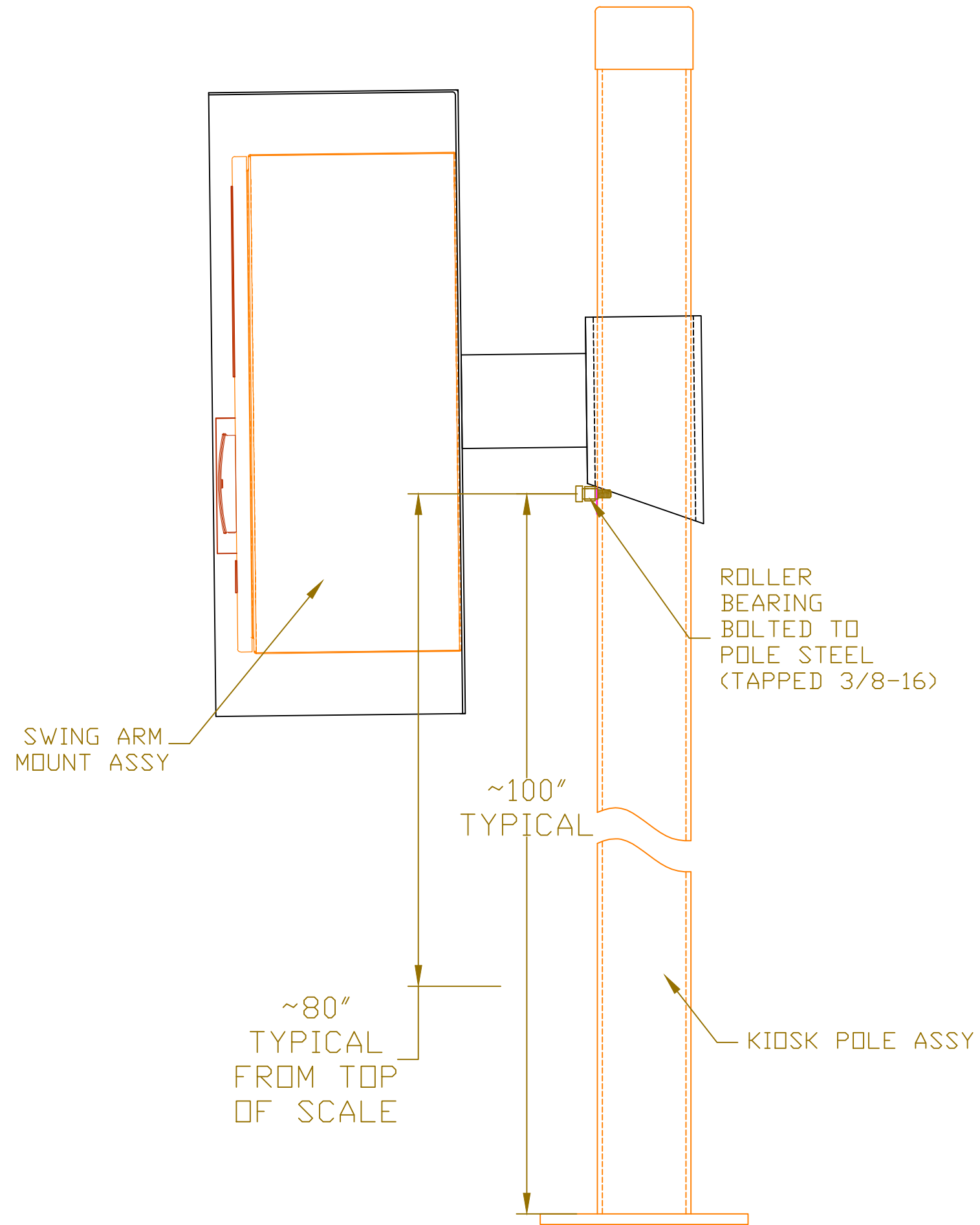


Pole Base



THE MATERIAL AND INFORMATION CONTAINED HEREIN IS CONFIDENTIAL AND IS THE PROPERTY OF CAROLINA SOFTWARE INC. AND IS NOT TO BE USED, DISCLOSED, COPIED, TRANSFERRED, OR REPRODUCED WITHOUT THE PRIOR WRITTEN PERMISSION OF CAROLINA SOFTWARE INC.

		Carolina Software Inc PO Box 3097 Wilmington, NC 28406 910-799-6767 www.wasteworks.com	
DATE:	5/17/13	TITLE:	Standard Pole Location
SCALE:	NA	SITE:	NA
DWG BY:	MLW		NA
SHEET:	NA	DRAWING NUMBER:	GSY-13005
		REV:	A



PARTS REQUIRED:

- 1 EA SHOULDER BOLT
- 1 EA NEEDLE BEARING
- 1 EA SWING ARM ASSEMBLY
- 1 EA KIOSK POLE ASSEMBLY
- 1 EA 3/8-16 TAP AND DRILL



Carolina Software Inc
 PO Box 3097
 Wilmington, NC 28406
 910-799-6767
 www.wasteworks.com

DATE: 5/17/13	TITLE: Standard Pole Mounting
SCALE: NA	SITE: NA
DWG BY: MLW	NA
SHEET: NA	DRAWING NUMBER: GSY-13006
	REV: A

THE MATERIAL AND INFORMATION CONTAINED
 HEREIN IS CONFIDENTIAL AND IS THE
 PROPERTY OF CAROLINA SOFTWARE INC. AND
 IS NOT TO BE USED, DISCLOSED, COPIED,
 TRANSFERRED, OR REPRODUCED WITHOUT THE
 PRIOR WRITTEN PERMISSION OF CAROLINA
 SOFTWARE INC.